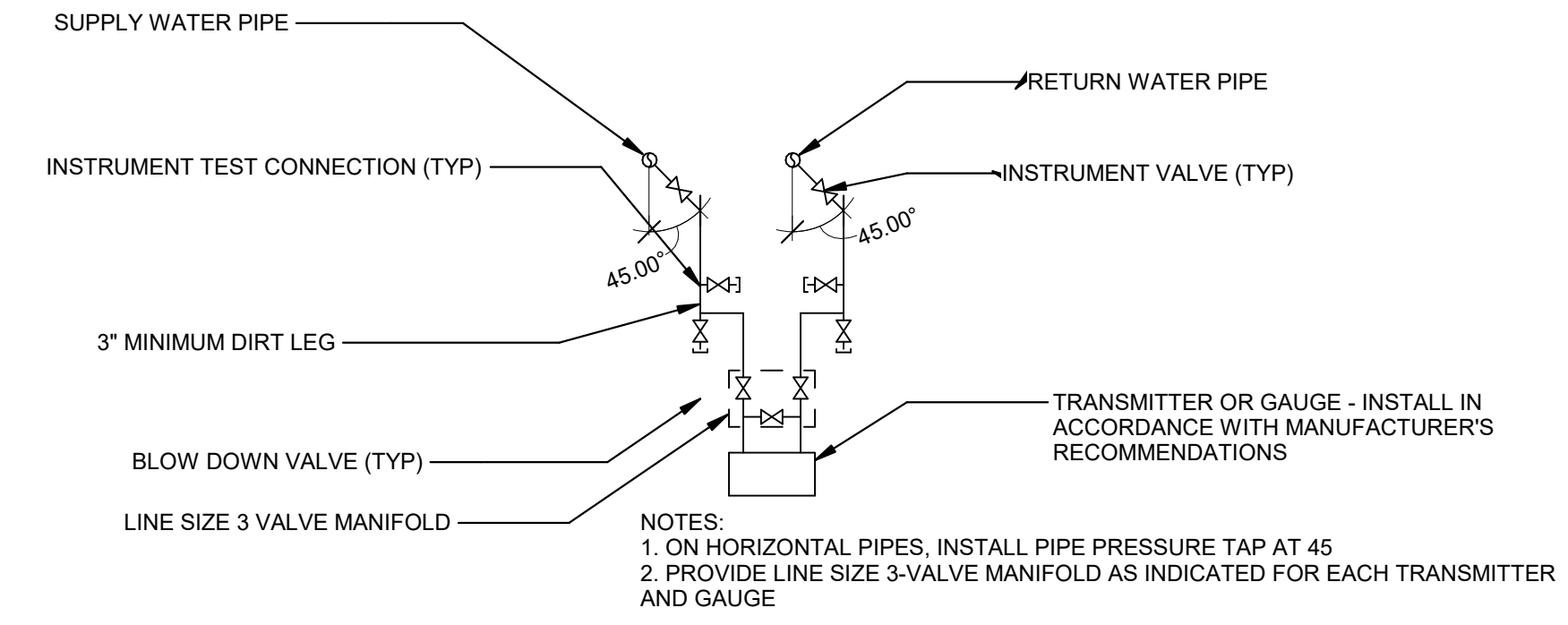
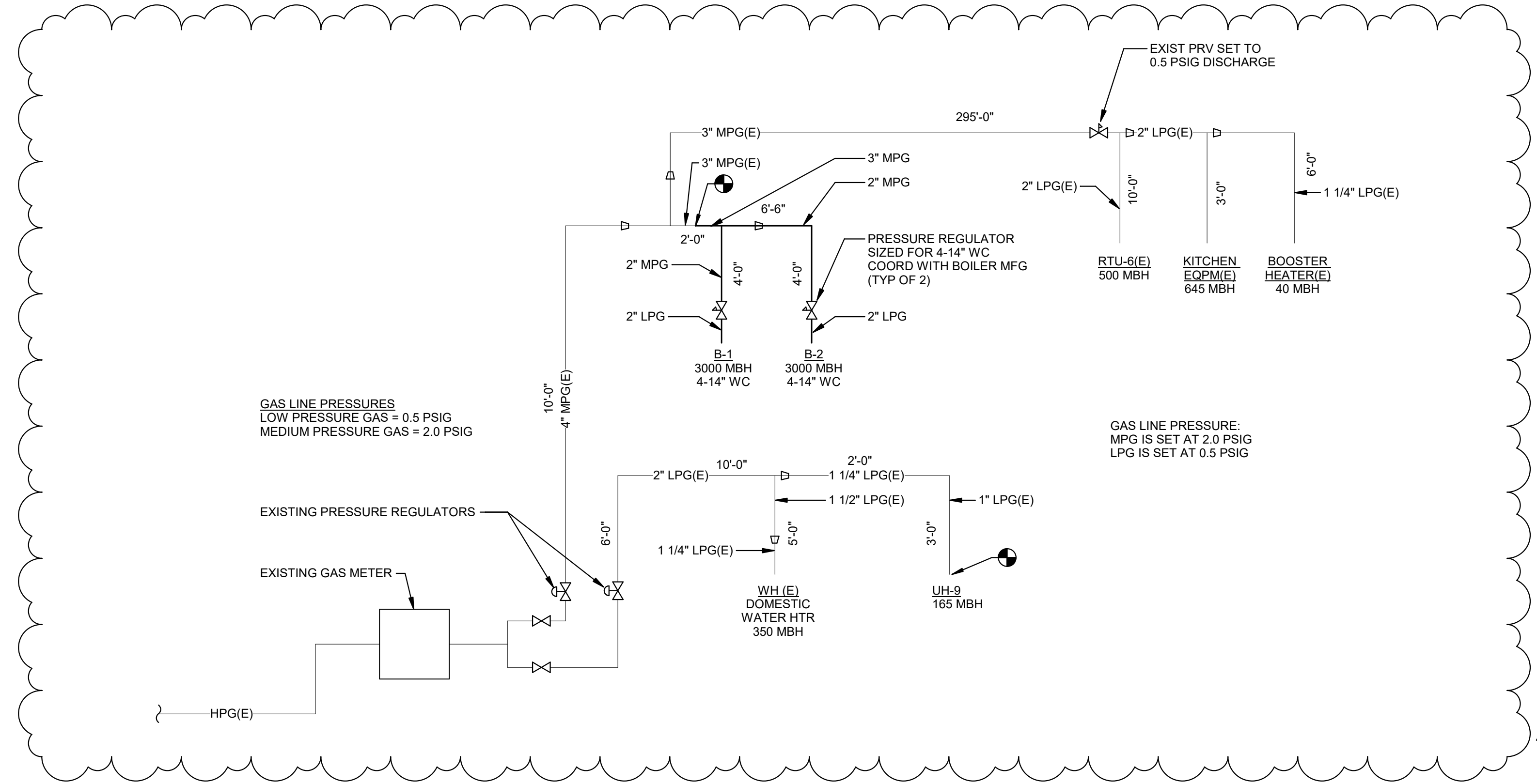


1 DOAS-1, 2, 3, AHU-3 ARRANGEMENT DETAIL
SCALE: NONE



2 DIFFERENTIAL PRESSURE TRANSMITTER DETAIL
SCALE: NONE



3 GAS RISER DIAGRAM
SCALE: NONE

PROJECT #:	WAPR17
DATE:	12/5/17
DRAWN:	MEO
CHECKED:	DRD

REVISIONS		
1	BID ADDENDUM #1	12/27/17